

ELGA

PURELAB flex  
Operator Manual

## TABLE OF CONTENTS

<b>1. INTRODUCTION .....</b>	<b>2</b>
1.1 Health & Safety.....	2
1.2 Product Range .....	2
1.3 Use of this Manual.....	2
1.4 Installation.....	2
1.5 Commissioning .....	2
1.6 Customer Support .....	2
<b>2. YOUR GUIDE TO THE PURELAB FLEX .....</b>	<b>3</b>
<b>3. CONSUMABLES.....</b>	<b>4</b>
<b>4. CUSTOMIZED OPERATION.....</b>	<b>4</b>
<b>5. MAINTENANCE .....</b>	<b>5</b>
5.1 Replacing Ultraviolet lamp (LC210) .....	5
5.2 Cleaning the Inlet Filter Assembly.....	7
5.3 Replacing Point-of-Use Filters.....	7
<b>6. SELF HELP GUIDELINES .....</b>	<b>8</b>
<b>7. HEALTH AND SAFETY NOTES.....</b>	<b>9</b>
7.1 Environment.....	9
7.2 Display Handset.....	9
7.3 Electricity.....	9
7.4 Ultraviolet Light .....	9
7.5 Residual Biostat .....	9
7.6 Control of Substances Hazardous to Health (COSHH).....	9
<b>8. USEFUL CONTACT DETAILS .....</b>	<b>10</b>
<b>9. WARRANTY / CONDITIONS OF SALE.....</b>	<b>10</b>

### Copyright Note

*The information contained in this document is the property of VWS (UK) Ltd, trading as ELGA LabWater, and is supplied without liability for errors or omissions.*

*No part of this document may be reproduced or used except as authorized by contract or other written permission from VWS (UK) Ltd. The copyright and all restrictions on reproduction and use apply to all media in which this information may be placed.*

*VWS (UK) Ltd. pursue a policy of continual product improvement and reserve the right to alter without notice the specification, design, price or conditions of supply of any product or service.*

© VWS (UK) Ltd. 2009 – All rights reserved.

ELGA® and PURELAB® are registered trademarks of VWS (UK) Ltd.

# 1. INTRODUCTION

## 1.1 Health & Safety

Please ensure you have read the Health & Safety notes in Section 7 before commencing.

## 1.2 Product Range

This Operators Manual has been prepared for the following PURELAB flex product models:

- PURELAB flex (Optional Purification Pack)
- PURELAB flex (Purification Pack + UV + TOC)

## 1.3 Use of this Manual

This manual guides you through the basic operation of the PURELAB flex allowing you to obtain a guaranteed supply of purified water to meet your requirements.

## 1.4 Installation

The PURELAB flex is supplied with a Quick Start Guide and Quick Reference Guide.

The Quick Start Guide shows you how to install and commission the PURELAB flex.

The Quick Reference Guide shows you how to perform day to day functions in order to get the most from your PURELAB flex without having to refer to the Operators Manual.

## 1.5 Commissioning

The PURELAB flex is supplied in a preset commissioning mode which has to be completed before purified water can be dispensed.

## 1.6 Customer Support

If you need help with your PURELAB flex, please call your local ELGA representative. For the address of the nearest ELGA LabWater Sales and Service office visit the country list on our website.

[www.elgalabwater.com](http://www.elgalabwater.com)

Or contact ELGA LabWater at;

E-mail: [techsupport@elgalabwater.com](mailto:techsupport@elgalabwater.com)

E-mail: [info@elgalabwater.com](mailto:info@elgalabwater.com)

## 2. YOUR GUIDE TO THE PURELAB FLEX



### 3. CONSUMABLES

Consumables			
Part No.	Description	Typical Service Life*	Max. Shelf Life
LC208	Purification Pack	12 months	5 years
LC209	Sanitization Pack	Not Applicable	2 years
LC210	185/254nm UV Lamp	12-18 months	2 years
LC145	0.2µm Microfilter - Point-of-Use	90 Days	2 years
LC197	Biofilter – Point-of-Use	90 Days	2 years

\*Service Life is an estimate only, and will depend on the application and feed water quality. Please take care to ensure you order the correct consumable items.

### 4. CUSTOMIZED OPERATION

It's possible to customize your PURELAB flex by downloading additional features and changing your current settings.

To find out more, please visit [www.purelabflex.com](http://www.purelabflex.com)

## 5. MAINTENANCE

An approved supplier or distributor should carry out any maintenance work not included in this manual.

**Note:** Disposal of all end-of-life consumable items should be in accordance with local statutory regulations.

### 5.1 Replacing Ultraviolet lamp (LC210)

The Ultraviolet (UV) lamp should be replaced when;

- UV lamp failure occurs.
- UV lamp efficiency decreases affecting water purity.

If either occurs you'll be prompted to change the UV Lamp.



**WARNING!**

**UV-C RADIATION IS HARMFUL TO THE EYES AND SKIN. UV LAMP SHOULD ONLY BE OPERATED IN THE CHAMBER.**

**IT IS STRONGLY RECOMMENDED THAT DURING THE HANDLING OF THE UV LAMP CUT-RESISTANT GLOVES ARE WORN.**



**WARNING!**

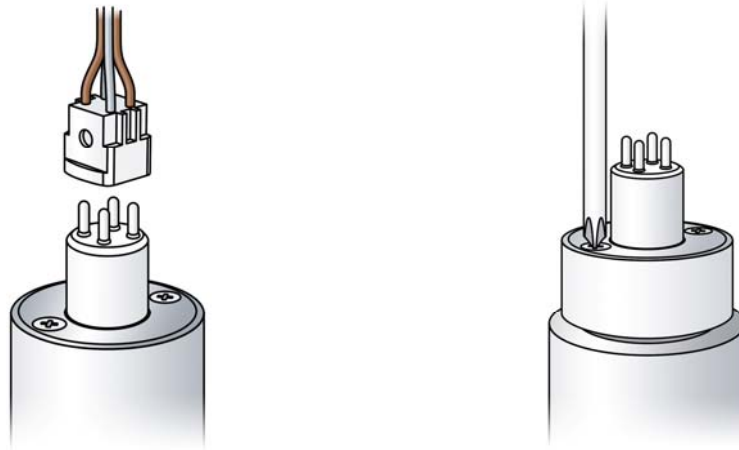
**MERCURY HAZARD, DO NOT BREAK. THE UV LAMP CONTAINS A SMALL AMOUNT OF MERCURY. MAY CAUSE REDNESS OR IRRITATION AS A RESULT OF CONTACT WITH SKIN AND/OR EYES.**

#### Step 1 – Switch Unit Off

- ISOLATE the electrical supply where the PURELAB flex power cable is connected to the mains electrical supply.
- TURN OFF the water supply.
- OPEN the left hand access door.

**Step 2 – Remove UV Lamp from PURELAB flex.**

- DISCONNECT the lamp connector fitted to the top of the UV lamp.
- LOOSEN the 2 securing screws at the top of the UV housing.



- LIFT and Remove the UV lamp from the UV housing.
- DISCARD the used UV lamp in accordance with local regulations.

**CAUTION!**

**Hold on to the UV lamp carefully to ensure it doesn't break.**

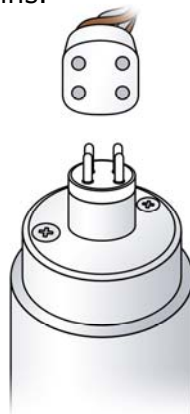
**Step 3 - Replace the UV lamp**

- UNPACK new UV lamp.

**CAUTION!**

**Take care not to touch the surface of the glass. Ideally wear gloves, handle with soft cloth and wipe the surface with alcohol before fitting into the housing.**

- SLIDE the new UV lamp into the UV housing.
- CONNECT the lamp connector to the end of the UV making sure the connector is correctly aligned with the pins.



- TIGHTEN the 2 securing screws at the top of the UV housing.
- CLOSE the left hand access door.

**Step 4 – Turn Unit On**

- TURN ON the water supply.
- SWITCH ON the mains electrical supply.

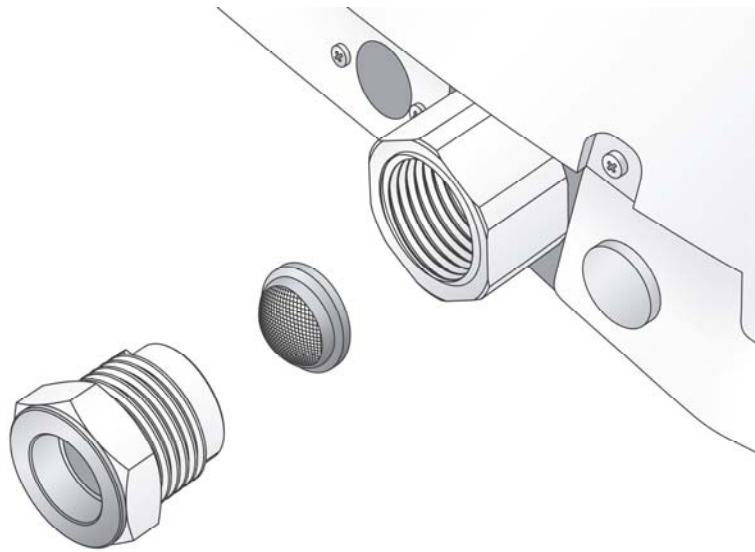
## 5.2 Cleaning the Inlet Filter Assembly

The PURELAB flex is fitted with an inlet filter to protect it from particles in the feed water supply which could affect performance.

It's recommended that you periodically clean the inlet filter to ensure that it doesn't become blocked.

### Step 1 – Isolate the Electrical Supply

- ISOLATE the electrical supply where the PURELAB flex power cable is connected to the mains electrical supply.
- TURN OFF the water supply.
- LOCATE the inlet filter assembly at the rear of the PURELAB flex.



### Step 2 – Dismantle the Inlet Filter.

- UNSCREW the inlet filter.
- REMOVE the mesh filter
- CHECK mesh filter for signs of damage; replace or clean as necessary.

### Step 3 – Reassemble the Inlet Filter

- INSERT the mesh filter into its original position ensuring that it is facing the correct direction (see diagram).
- RE-ASSEMBLE the Inlet Filter Assembly.

### Step 4 – Turn Unit On

- TURN ON the water supply
- SWITCH ON the electrical supply.

## 5.3 Replacing Point-of-Use Filters

Details of how to install point-of-use filters are supplied with each filter.



## 6. SELF HELP GUIDELINES

This section covers some of the issues that could occur with your PURELAB flex, and provides the troubleshooting steps to help you to resolve an issue yourself.

When troubleshooting doesn't resolve your issue, please call your local ELGA LabWater representative (See Section 8 - Useful Contact Details).



### WARNING!

**ALWAYS ENSURE THAT THE ELECTRICAL POWER SUPPLY IS ISOLATED BEFORE WORKING INSIDE THE PURELAB flex.**

PROBLEM	RECOMMENDED ACTION
The display is not working	Confirm the dispense button is illuminated Press any button to wake the unit from sleep mode. Check mains supply and lead. Check that the mains power is switched on. Check the fuse in the power supply and replace if blown.
Unable to enter the configuration menu	Press Auto Volume Dispense button to exit Auto Volume dispensing.
Purification Pack change reminder	Reset Purification Pack change reminder. Replace Purification Pack – See Quick Reference Guide.
Sanitization reminder	Reset Sanitization reminder. Accept Sanitization and follow the instructions on the Display Handset.
High Temperature Water Alarm	Check the correct alarm point is set. Check feed water temperature has not risen suddenly. Dispense some water to allow cold water to be drawn into the system.
Reduced Dispense Water flow rate	Check inlet water strainer is not blocked. Replace POU filter if fitted. Call Customer Services.
Feed Water Purity Alarm	Check the correct alarm point is set. Check feed water purity is within acceptable limits.
Dispense Water Purity Alarm	Check the correct alarm point is set. Change Purification Pack.

## 7. HEALTH AND SAFETY NOTES

**WARNING!**

**WARNINGS ARE GIVEN WHERE FAILING TO OBSERVE THE INSTRUCTIONS COULD RESULT IN INJURY OR FATALITY.**

**CAUTION!**

**Cautions are given where failure to observe the instructions could result in damage to the equipment, associated equipment and processes.**

### 7.1 Environment

**Clean dry indoor. Temp 5-40°C.  
Humidity max 80% non-condensing.**

**CAUTION!**

**Failure to follow the environmental specification could result in damage to the system.**

**The PURELAB flex is not designed for use in fume cupboards where chemicals could damage the system.**

### 7.2 Display Handset

**CAUTION!**

**The display handset is not designed to be submersed in water.**

### 7.3 Electricity

**WARNING!**

**POSITION THE POWER SUPPLY SO THAT IT CANNOT COME INTO CONTACT WITH WATER.**

### 7.4 Ultraviolet Light

**WARNING!**

**UNDER NO CIRCUMSTANCES SHOULD THE LAMP BE CONNECTED AND ACTIVATED WHEN OUTSIDE THE HOUSING. EXPOSURE COULD CAUSE SERIOUS INJURY TO EYES AND SKIN.**

**ENSURE THE UV LAMP IS DISPOSED OF IN ACCORDANCE WITH LOCAL REGULATIONS.**

### 7.5 Residual Biostat

**WARNING!**

**DURING THE COMMISSIONING CYCLE TRACE RESIDUAL BIOSTAT IS FLUSHED FROM THE SYSTEM. A MATERIAL SAFETY DATA SHEET IS AVAILABLE UPON REQUEST.**

### 7.6 Control of Substances Hazardous to Health (COSHH)

Material safety data sheets covering the various replaceable Purification Packs are available upon request.

## 8. USEFUL CONTACT DETAILS

ELGA LabWater – Global Operations Centre  
Lane End Industrial Park  
High Wycombe  
Bucks HP14 3BY  
UK

Tel: +44 (0) 1494 887500  
Fax: +44 (0) 1494 887505  
E-mail: [info@elgalabwater.com](mailto:info@elgalabwater.com)

For the address of the nearest ELGA LabWater Sales and Service office visit the country list on our website.

<http://www.elgalabwater.com>

Or contact ELGA LabWater at the number above.

## 9. WARRANTY / CONDITIONS OF SALE

ELGA LabWater is a trading name of VWS (UK) Ltd.

General Limited Warranty

VWS (UK) Ltd. warrants the products manufactured by it against defects in materials and workmanship when used in accordance with applicable instructions for a period of one year from the date of shipment for the products. VWS (UK) Ltd. MAKES NO OTHER WARRANTY, EXPRESSED OR IMPLIED. THERE IS NO WARRANTY OF MERCHANTABILITY OR FITNESS FOR A PARTICULAR PURPOSE. The warranty provided herein and the data, specifications and descriptions of the VWS (UK) Ltd. products appearing in VWS (UK) Ltd. published catalogues and product literature may not be altered except by express written agreement signed by an officer of VWS (UK) Ltd. Representations, oral or written, which are inconsistent with this warranty or such publications are not authorized and, if given, should not be relied upon.

In the event of a breach of the foregoing warranty, VWS (UK) Ltd. sole obligation shall be to repair or replace, at its option, any product or part thereof that proves to be defective in materials or workmanship within the warranty period, provided the customer notifies VWS (UK) Ltd. promptly of any such defect. The exclusive remedy provided herein shall not be deemed to have failed of its essential purpose so long as VWS (UK) Ltd. is willing and able to repair or replace any nonconforming VWS (UK) Ltd. product or part. VWS (UK) shall not be liable for consequential, incidental, special or any other indirect damages resulting from economic loss or property damage sustained by any customer from the use of its products.

VWS (UK) Ltd. Warranty

VWS (UK) Ltd. warrants the water systems manufactured by it, BUT EXCLUDING MEMBRANES AND PURIFICATION PACKS, against defects in materials and workmanship when used in accordance with the applicable instructions and within the operating conditions specified for the systems for a period of one year from the earlier of:

the date of installation, or

the 120th day following the date of shipment.

VWS (UK) LTD. MAKES NO OTHER WARRANTY, EXPRESSED OR IMPLIED. THERE IS NO WARRANTY OF MERCHANTABILITY OR FITNESS FOR A PARTICULAR PURPOSE. The warranty provided herein and the data, specifications and descriptions of the VWS (UK) Ltd. systems appearing in VWS (UK) Ltd. published catalogues and product literature may not be altered except by express written agreement signed by an officer VWS (UK) Ltd. Representations, oral or written, which are inconsistent with this warranty or such publications are not authorised and, if given, should not be relied upon.

In the event of a breach of the foregoing warranty, VWS (UK) Ltd. sole obligation shall be to repair or replace, at its option, any product or part thereof that proves to be defective in materials or workmanship within the warranty period, provided the customer notifies VWS (UK) Ltd. promptly of any such defect. The cost of labour for the first ninety (90) days of the above warranty period is included in the warranty; thereafter, labour cost shall be at the customer's expense. The exclusive remedy provided herein shall not be deemed to have failed of its essential purpose so long as VWS (UK) Ltd. is willing and able to repair or replace any nonconforming VWS (UK) Ltd. system or component part. VWS (UK) Ltd. shall not be liable for consequential, incidental, special or any other indirect damages resulting from economic loss or property damage sustained by any customer from the use of its process systems.

Products or components manufactured by companies other than VWS (UK) Ltd. or its affiliates ("Non - VWS (UK) Ltd. products") are covered by the warranty, if any, extended by the Product manufacturer. VWS (UK) Ltd. hereby assigns to the purchaser any such warranty; however VWS (UK) LTD. EXPRESSLY DISCLAIMS ANY WARRANTY WHETHER EXPRESSED OR IMPLIED, THAT THE NON - VWS (UK) Ltd. PRODUCTS ARE MERCHANTABILITY OR FIT FOR A PARTICULAR PURPOSE.

#### NOTICE

VWS (UK) Ltd. is constantly striving to improve its products and services. Consequently, the information in this document is subject to change without notice and should not be construed as a commitment by VWS (UK) Ltd. Also VWS (UK) Ltd. assumes no responsibility for any errors that may appear in this document. This manual is believed to be complete and accurate at the time of publication. In no event shall VWS (UK) Ltd. be liable for incidental or consequential damages in connection with or arising from the use of this manual.

VWS (UK) Ltd. warrants its products against defects in materials and workmanship as described in the Warranty statement on the preceding pages.